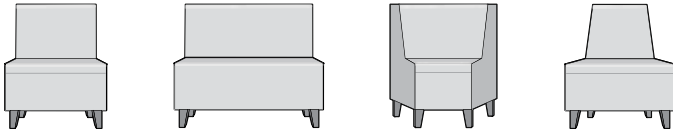


## Attessa Seating

These instructions may be used to disassemble all versions of the Attessa Seating including our single, double and inside and outside 30° chairs.

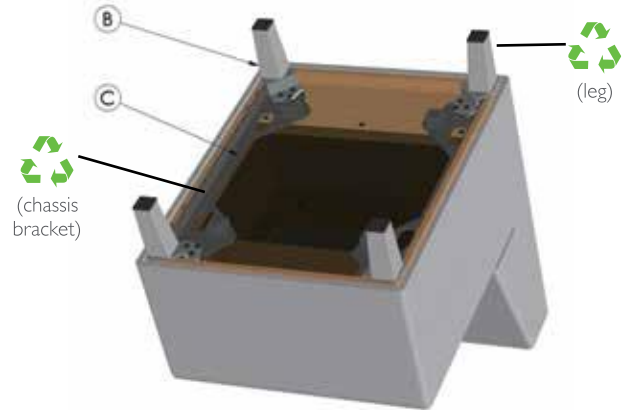


**Time Required:**

Approximately 10 minutes per chair.

**Tools Required:**

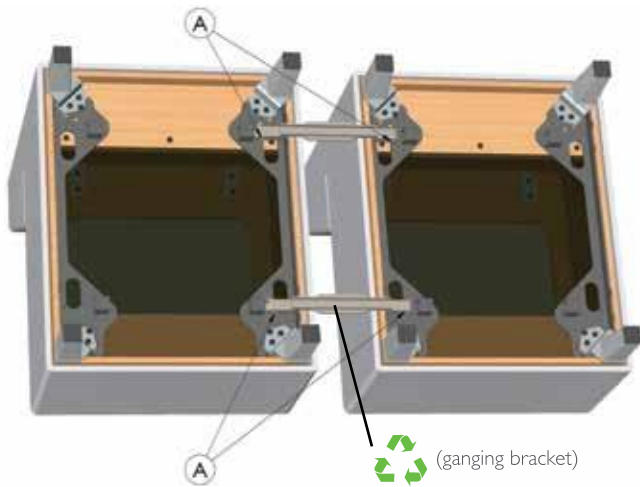
#2 Philips screwdriver, flat blade screwdriver, hammer and knife (preferably a box cutter).



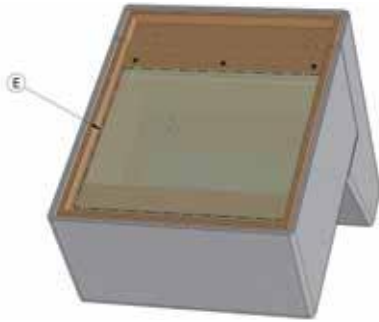
**B & C:** Now turn the seat upside down. Using the Philips screwdriver, remove the legs and chassis brackets from the seat box.



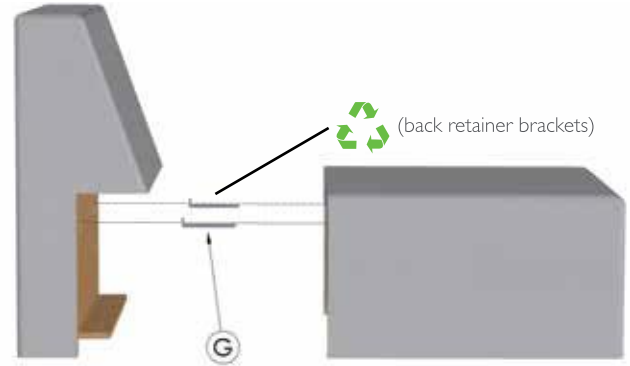
**D:** Next using the flat blade screwdriver and hammer, remove the plastic glides from the bottom of each leg.



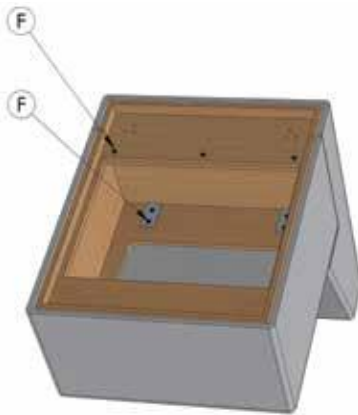
**A:** If two or more chairs are ganged together, they should be separated from their neighbor first. To do this squeeze and hold the quick release button at one end of the ganging bracket and push the two seats apart by about an inch. Repeat this procedure with the second ganging bracket; the seats can now be pulled fully apart. Remove the ganging bracket from the neighbor.



**E:** Take the knife or box cutter and carefully slice the dust cover alongside the staples attaching it to the seat box.



**G:** You can now separate the seat and back boxes from each other.



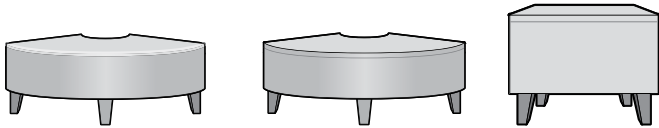
**H:** Take the knife or box cutter and carefully slice the fabric alongside the staples attaching the fabric to the seat box. Do the same to the back box.

**I:** Now taking the knife, or preferably a box cutter and carefully slice away the foam from the plywood boxes.

**F:** Using the Philips screwdriver, remove the screws securing the back retainer brackets and the three screws attaching the seat box to the back box.

## Attesa Tables

These instructions may be used to disassemble all versions of the Attesa Connecting Tables including our 23", 46" and our quarter round tables. The disassembly procedure is more involved where two tables are connected to each other.



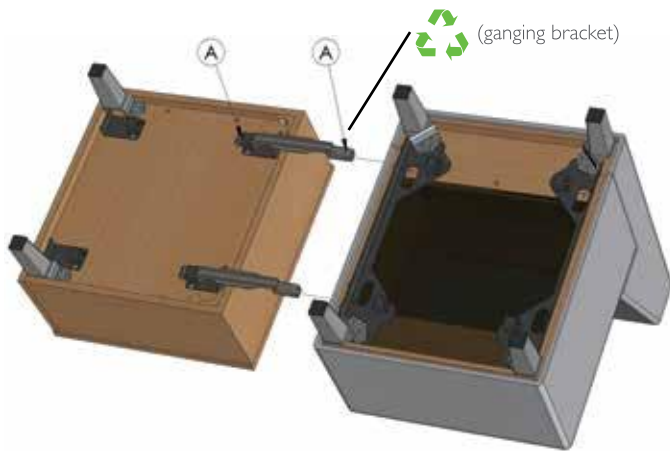
The following disassembly instructions are for tables connected to seating.

**Time Required:**

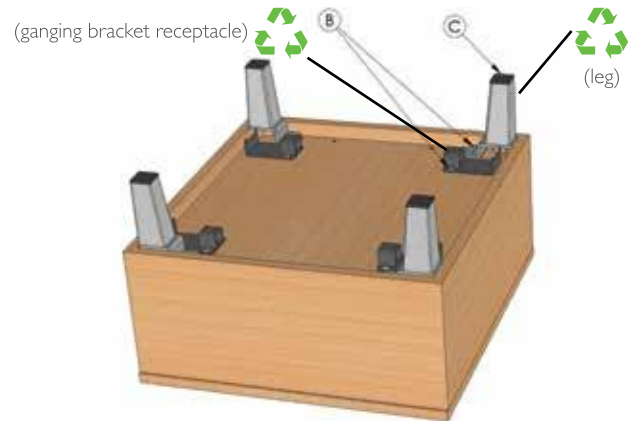
Approximately 5 minutes per table.

**Tools Required:**

All models: #2 Philips screwdriver; flat blade screwdriver and hammer.

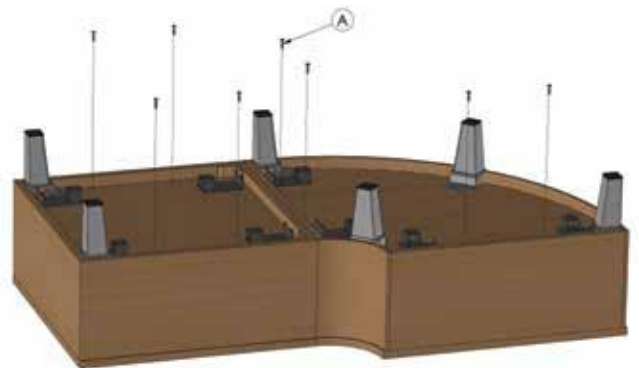


**A:** Separate the table from the chair by squeezing the quick release button at one end of the ganging bracket and slide the two apart by about an inch. Repeat this procedure with the second ganging bracket; the chair and table can now be pulled fully apart. Remove the ganging bracket from the neighbor.

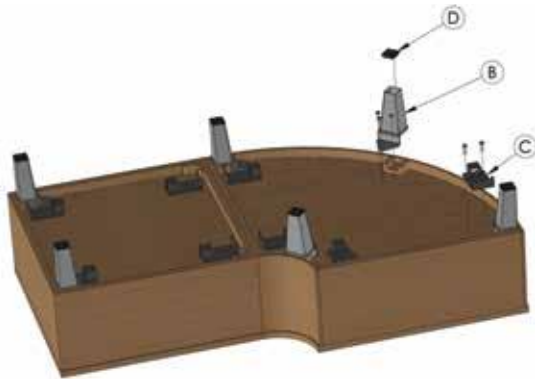


**B & C:** Now flip the table over and using the Philips screwdriver, remove the legs and ganging bracket receptacles. Next using the flat blade screwdriver and hammer, remove the plastic glides from the bottom of each leg.

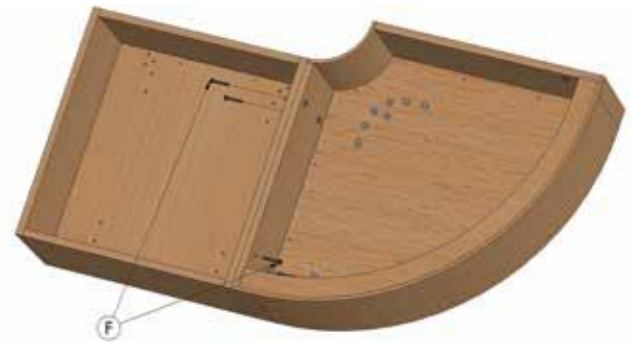
The following disassembly instructions are for two tables connected together.



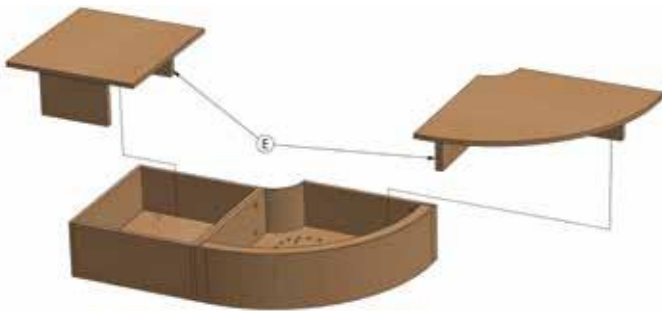
**A:** Using the Philips screwdriver, remove the four screws as shown above.



**B - D:** Using the Philips screwdriver, remove the legs and ganging bracket receptacles (with ganging brackets if present). Next using the flat blade screwdriver and hammer, remove the plastic glides from the bottom of each leg.



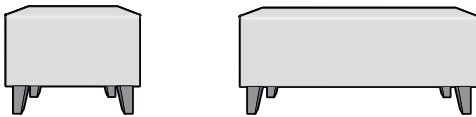
**F:** Using the Philips screwdriver, remove the four screws holding the tables together.



**E:** Now flip the two tables over and remove the tops from both tables.

## Attesa Benches

These instructions may be used to disassemble all versions of the Attesa Connecting benches including our 23", 46" and our quarter round benches. The disassembly procedure is more involved where two tables are connected to each other.



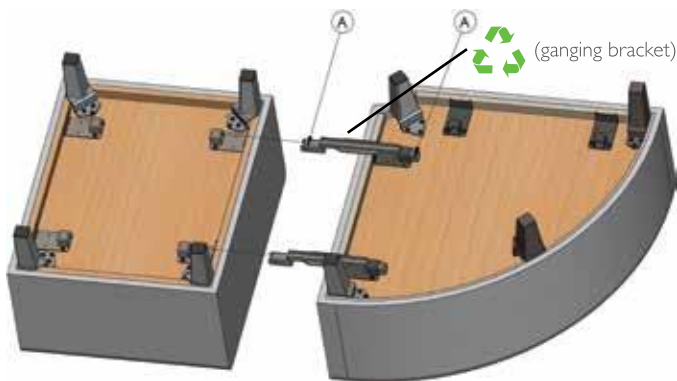
The following disassembly instructions are for tables connected to seating.

**Time Required:**

Approximately 5 minutes per bench

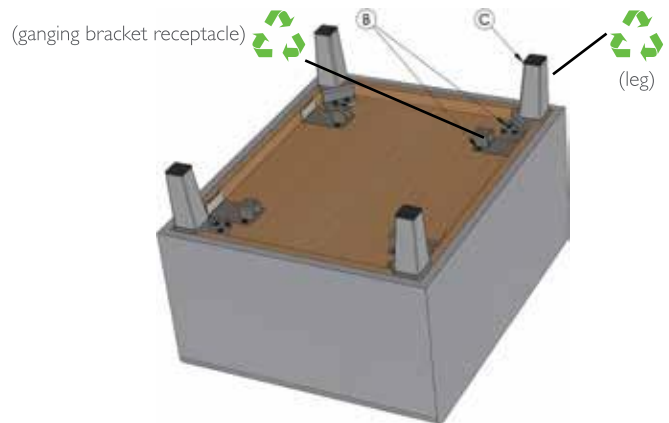
**Tools Required:**

All models: #2 Philips screwdriver; flat blade screwdriver and hammer.



**A:** Separate the bench from the neighboring chair; table or bench.

To do this squeeze the quick release button at one end of the ganging bracket and slide the two apart by about an inch. Repeat this procedure with the second ganging bracket; the two items can now be pulled fully apart. Remove the ganging brackets from its neighbor.







**B & C:** Now flip the bench over and using the Philips screwdriver, remove the legs and ganging bracket receptacles. Next using the flat blade screwdriver and hammer, remove the plastic glides from the bottom of each leg.

**D:** Take the knife or box cutter and carefully slice the fabric alongside the staples attaching the fabric to the bench.

**E:** Now taking the knife, or preferably a box cutter and carefully slice away the foam from the plywood box.

## Material Breakdown

Quantity	Component	Material
1	Seat box	Wood
1	Back box	Wood
2	End frame box (option)	Wood
4	Glides	Nylon
2	Upholstery pieces – seat and back	Vinyl, fabric
1	Dust cover	Fabric
2	Seat and back foam	Foam
2	Seat support rails	Steel 
2	End frame	Steel 
2	Retainer straps	Steel 
3	Support rails	Steel 
Various	Fasteners and staples	Steel 